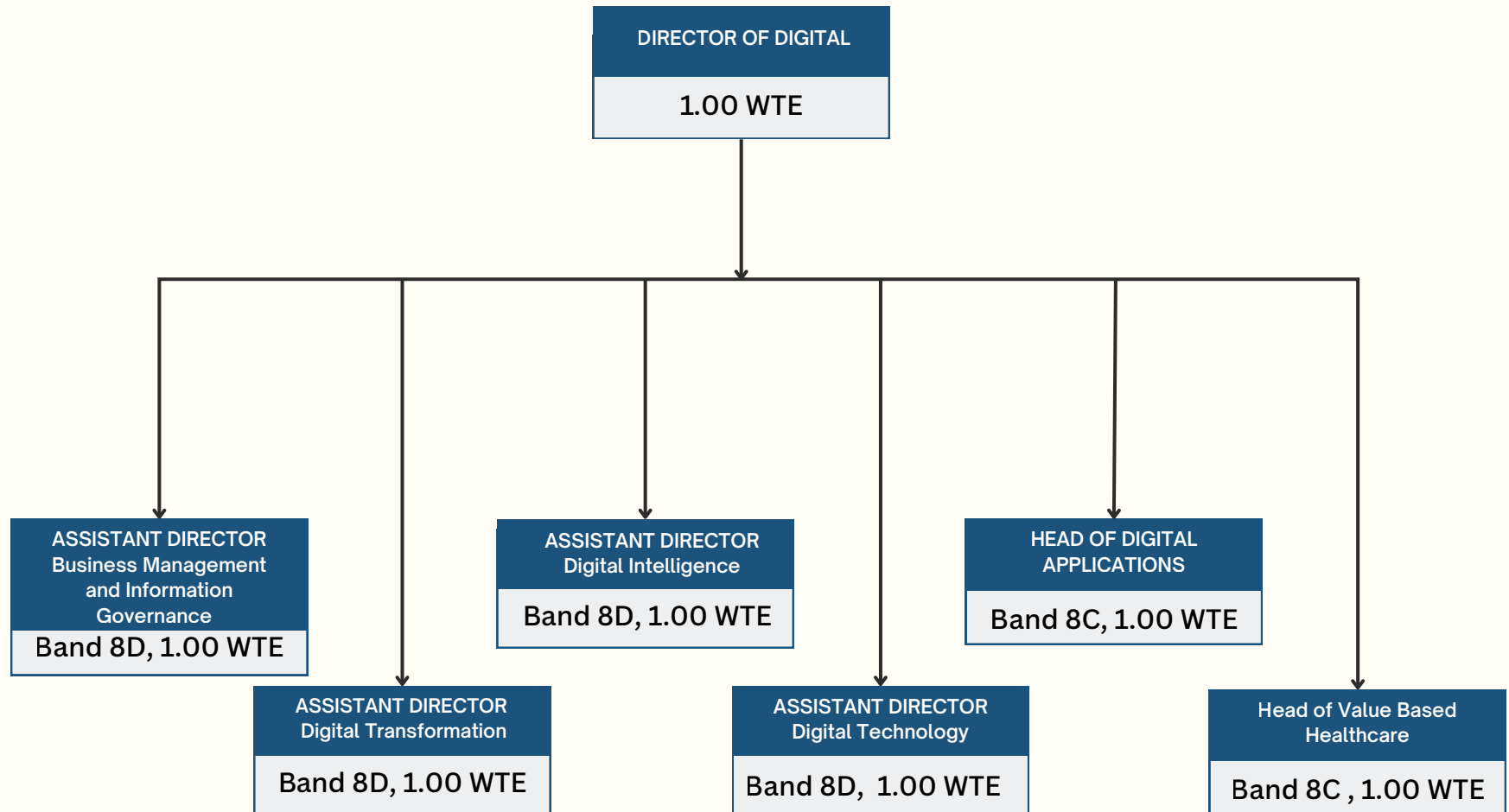
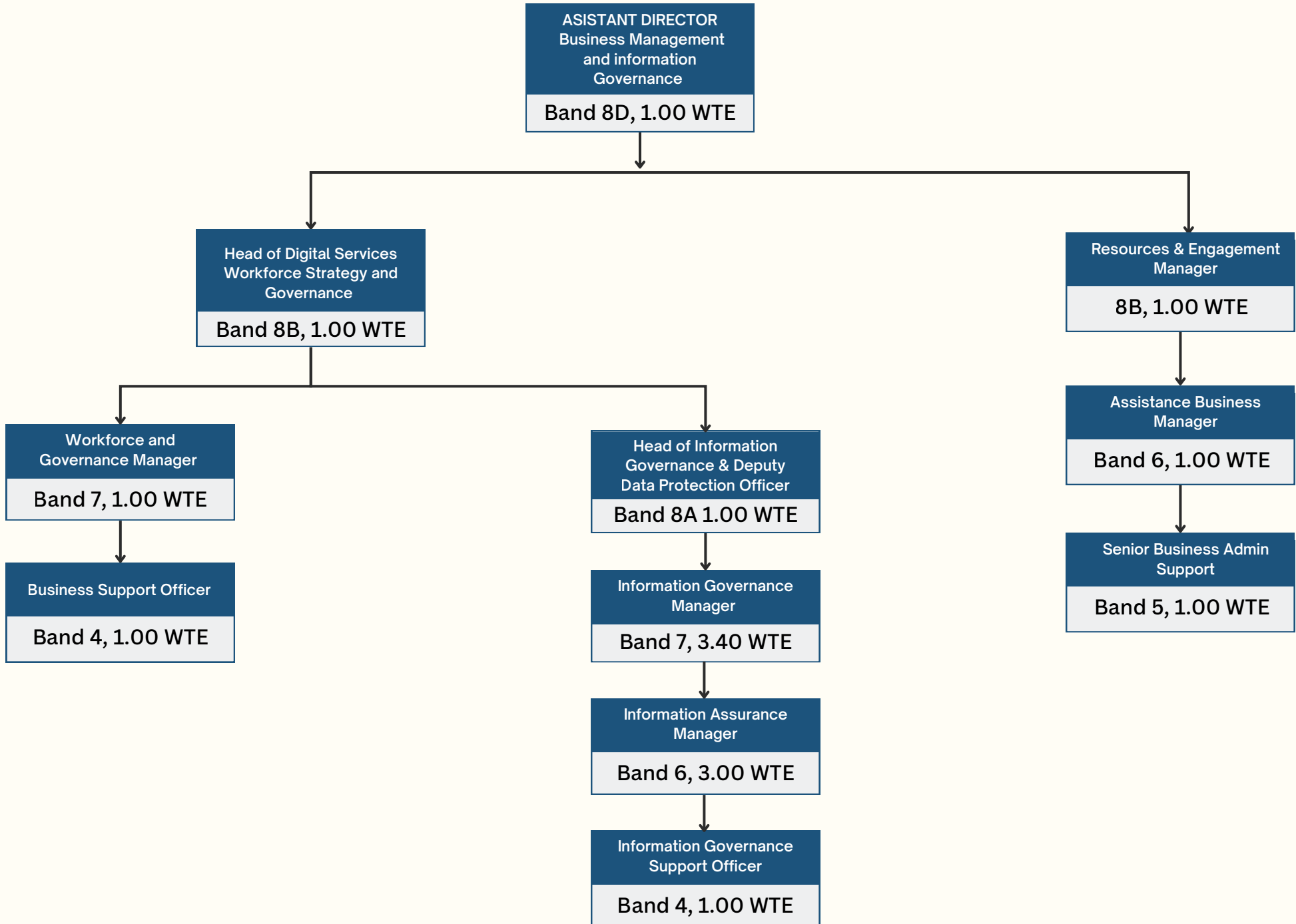


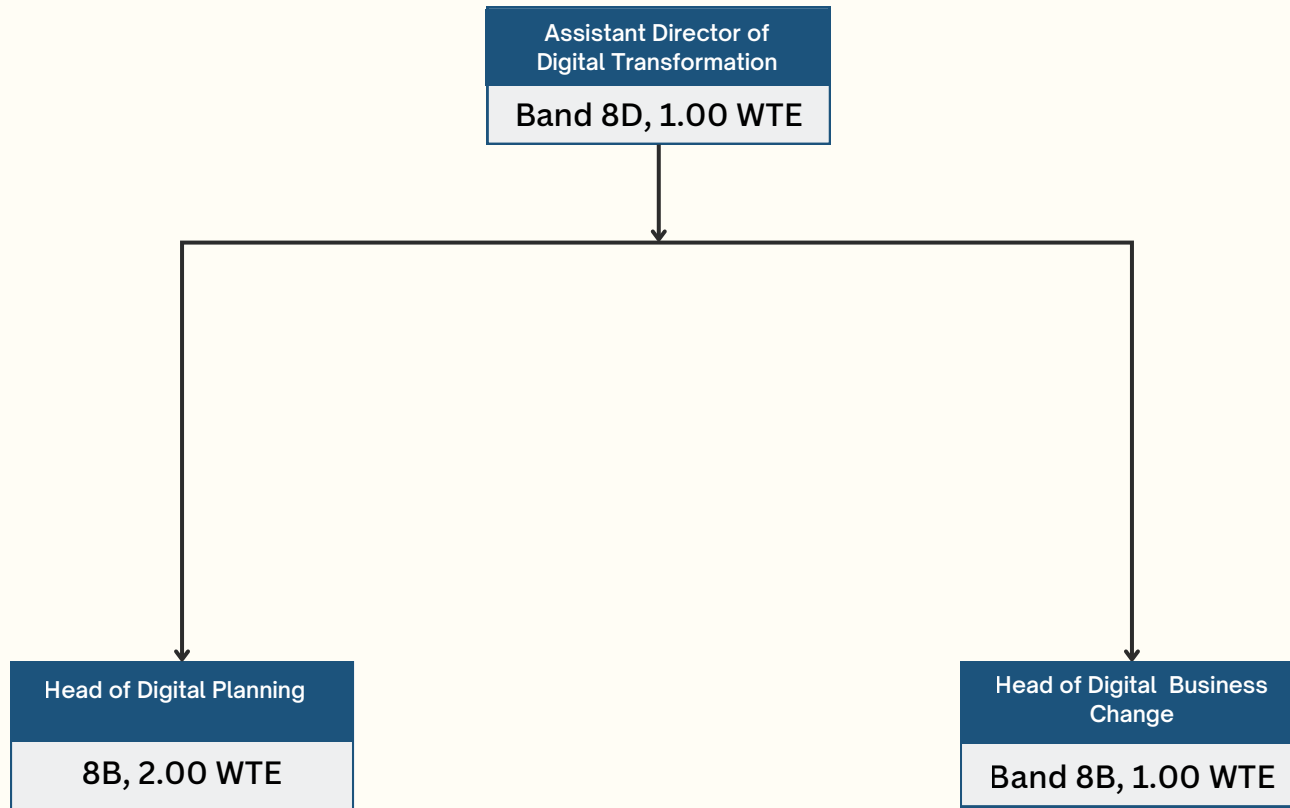
DIGITAL SERVICES LEADERSHIP TEAM



BUSINESS MANAGEMENT AND INFORMATION GOVERNANCE

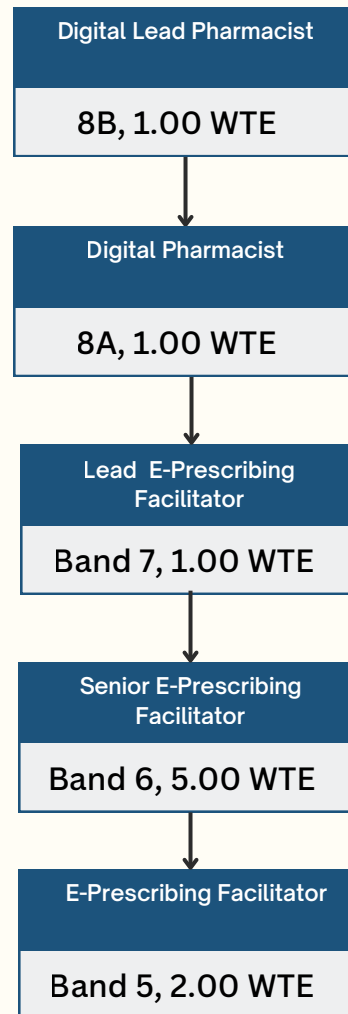


DIGITAL TRANSFORMATION

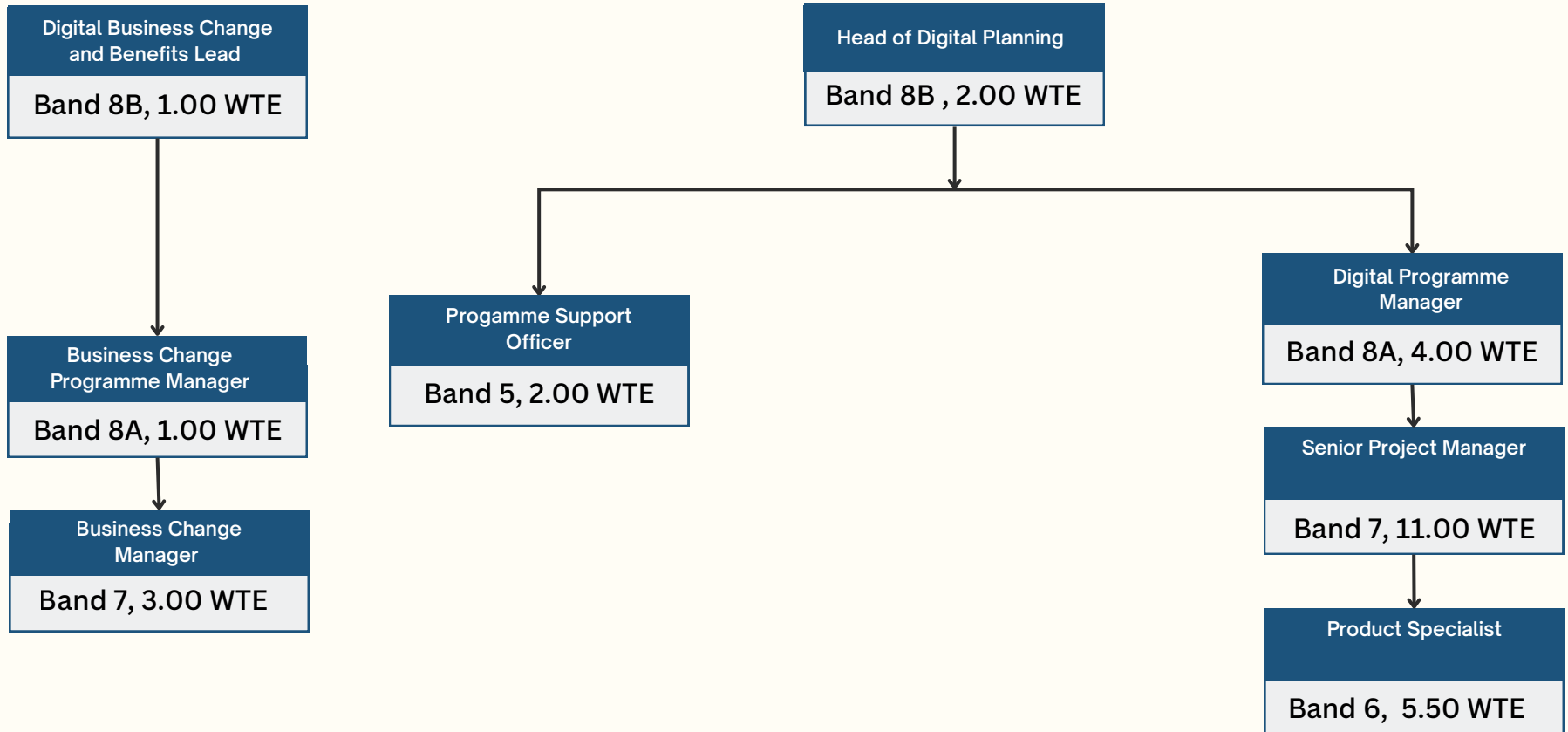


DIGITAL TRANSFORMATION

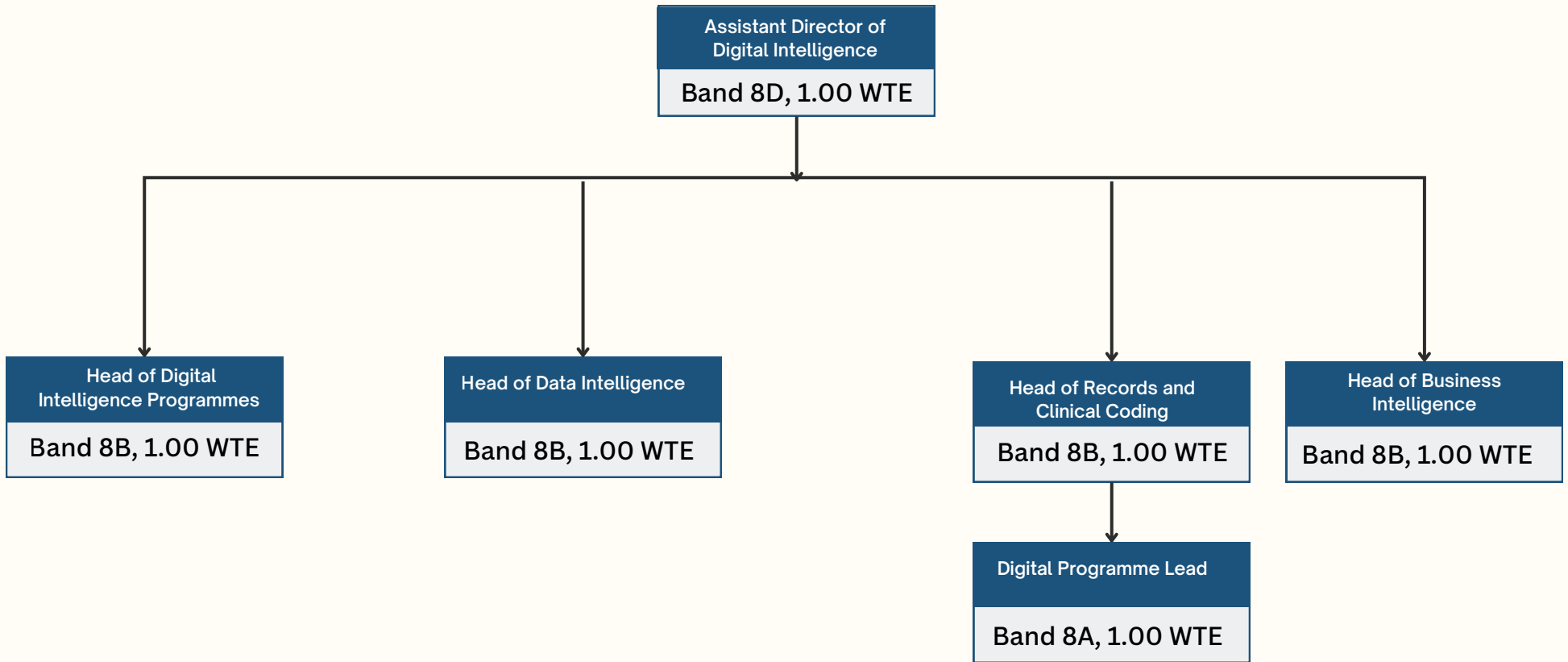
HEPMA TEAM



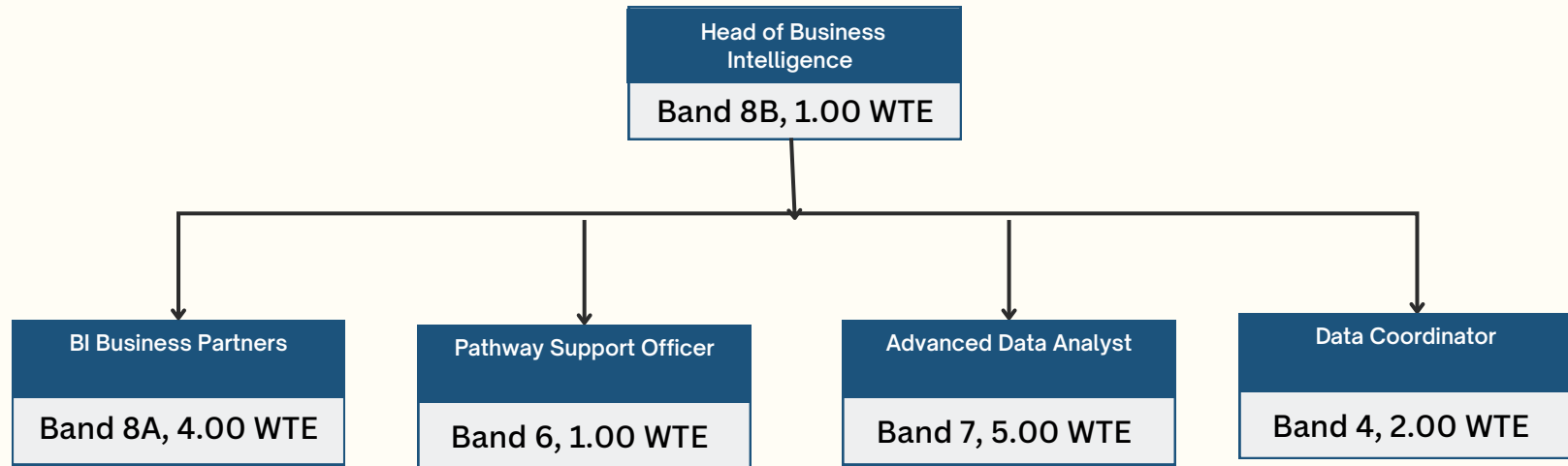
DIGITAL TRANSFORMATION



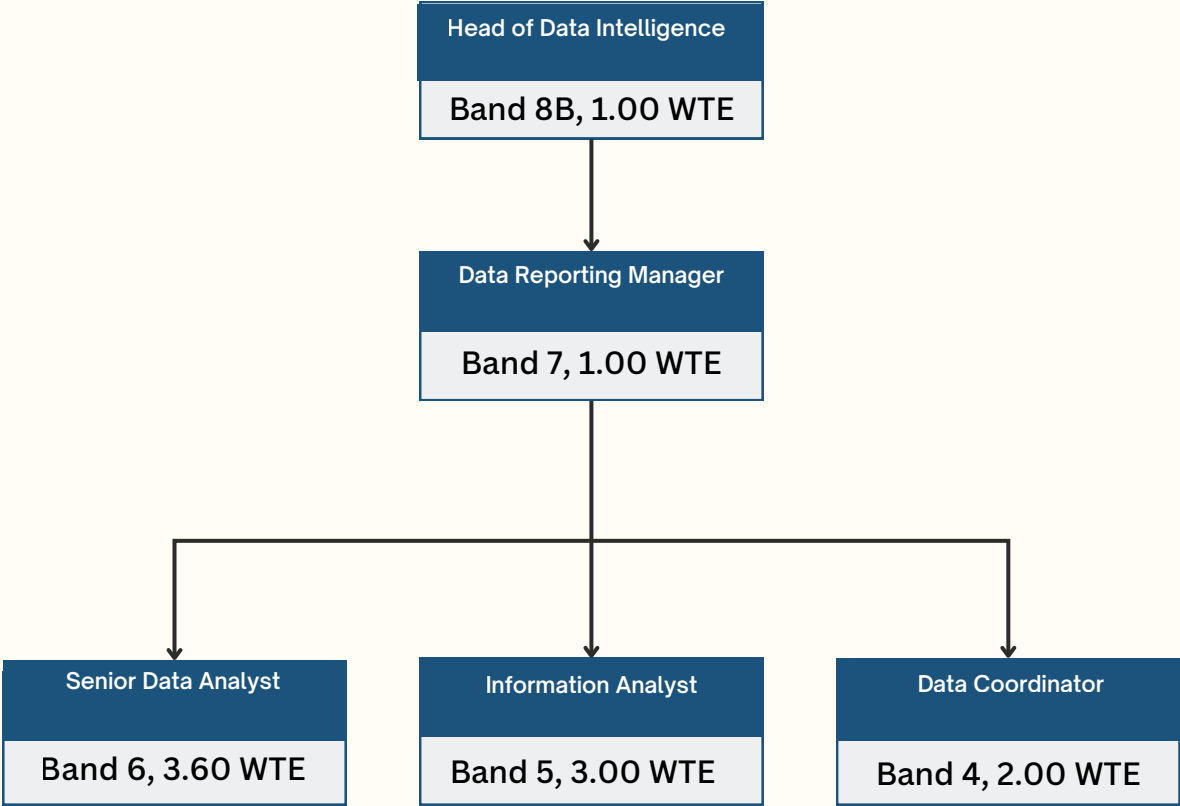
DIGITAL INTELLIGENCE



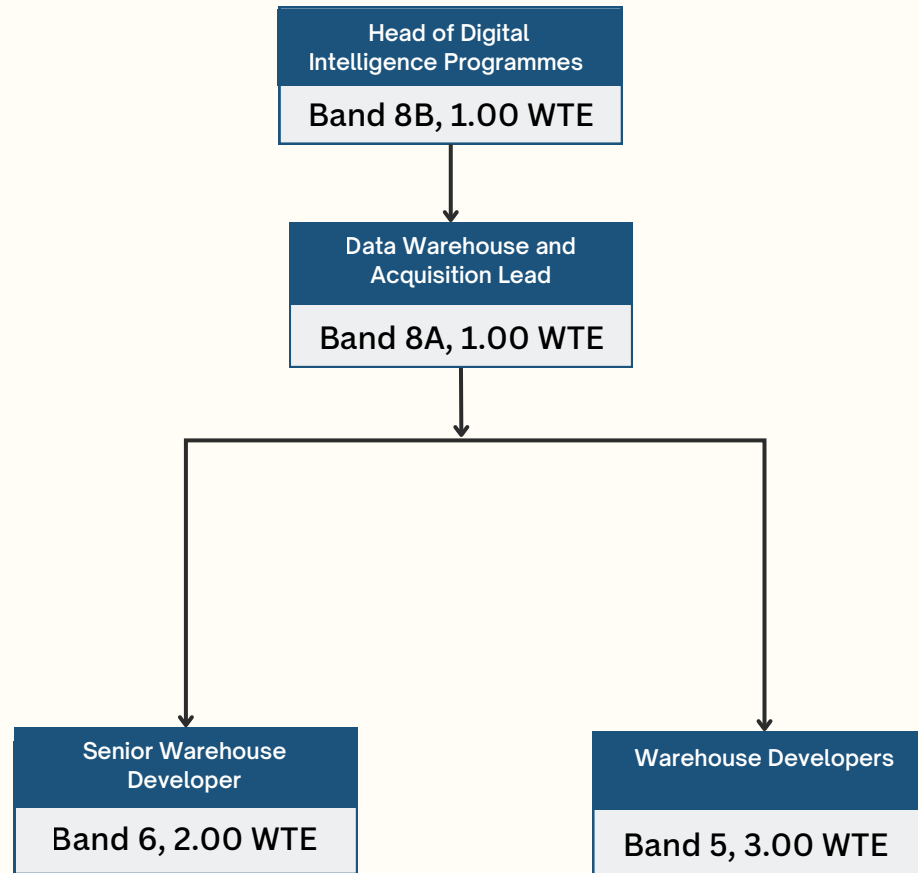
DIGITAL INTELLIGENCE



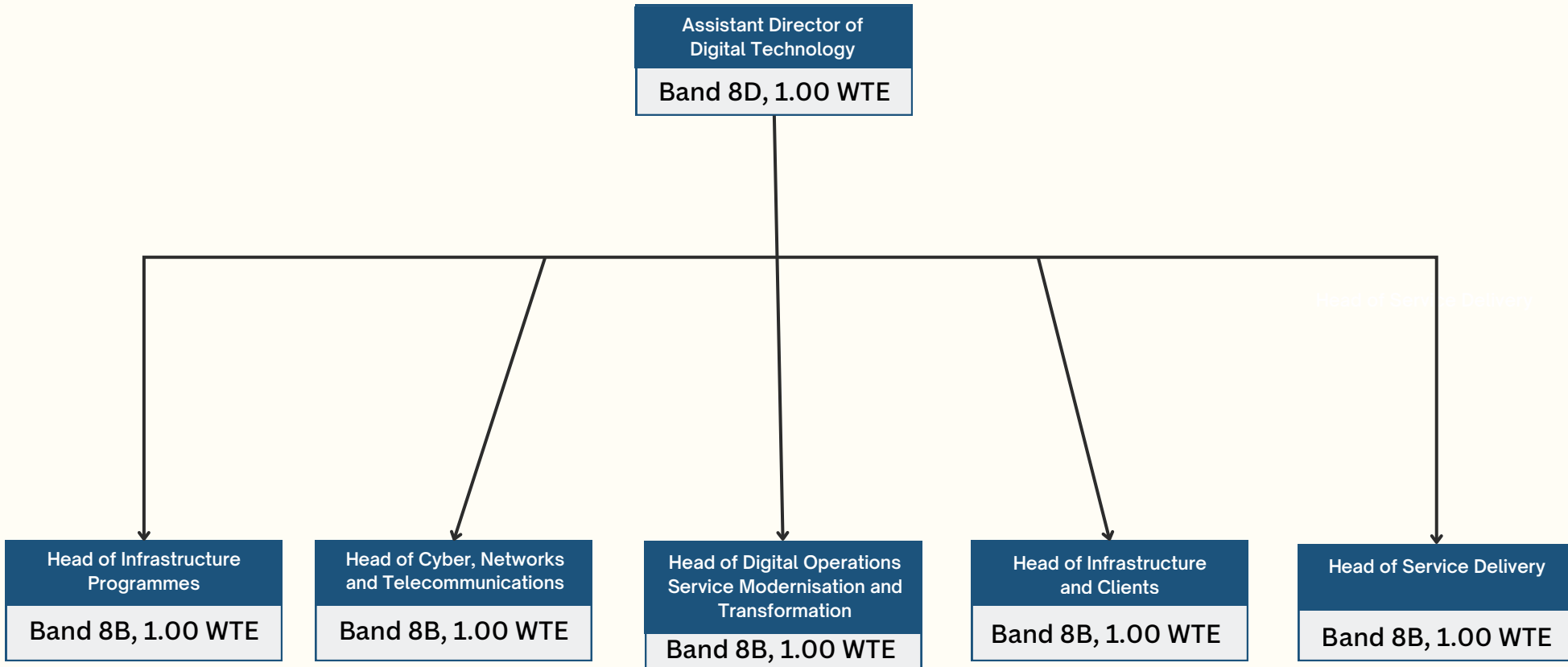
DIGITAL INTELLIGENCE



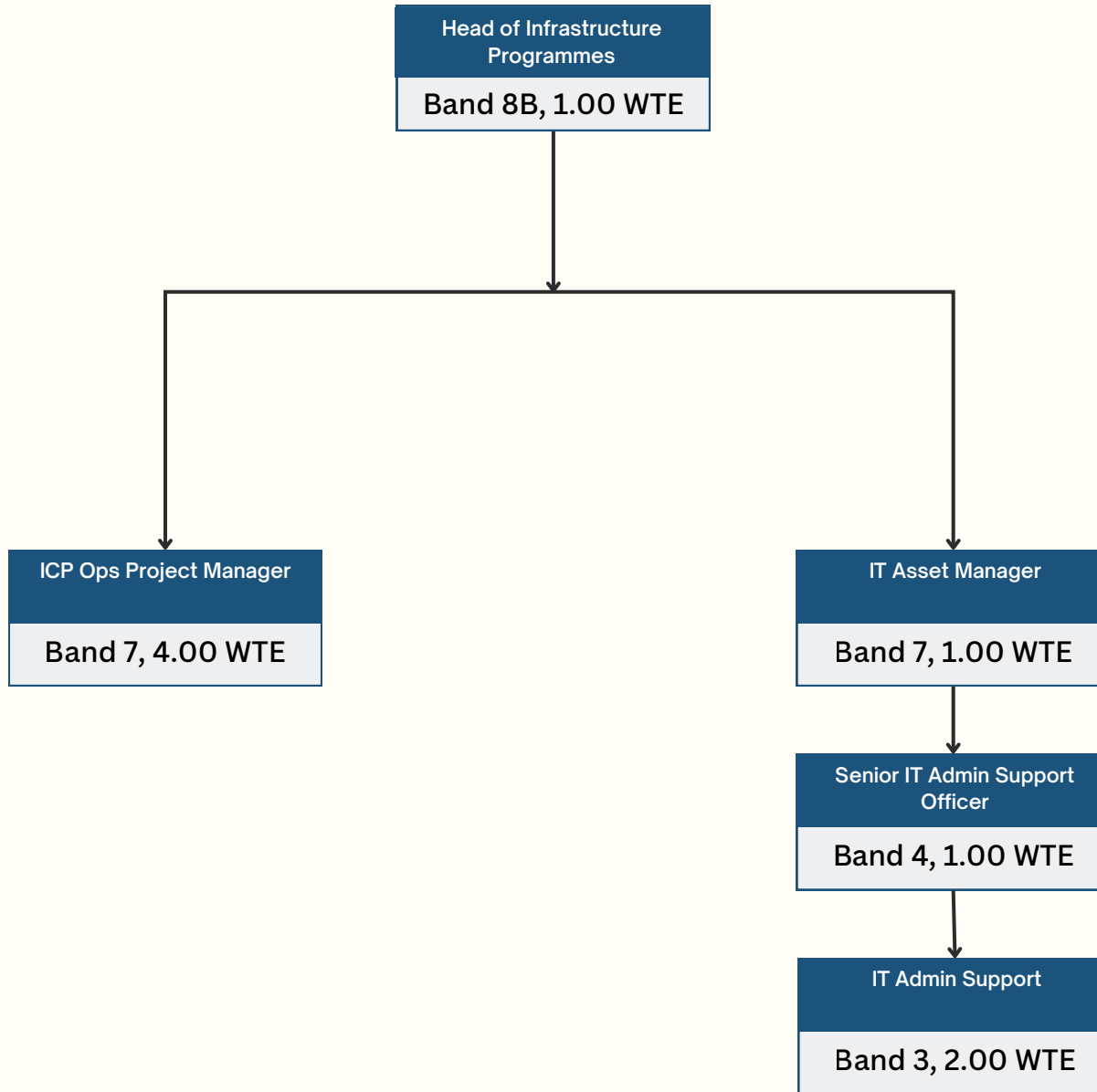
DIGITAL INTELLIGENCE



DIGITAL TECHNOLOGY

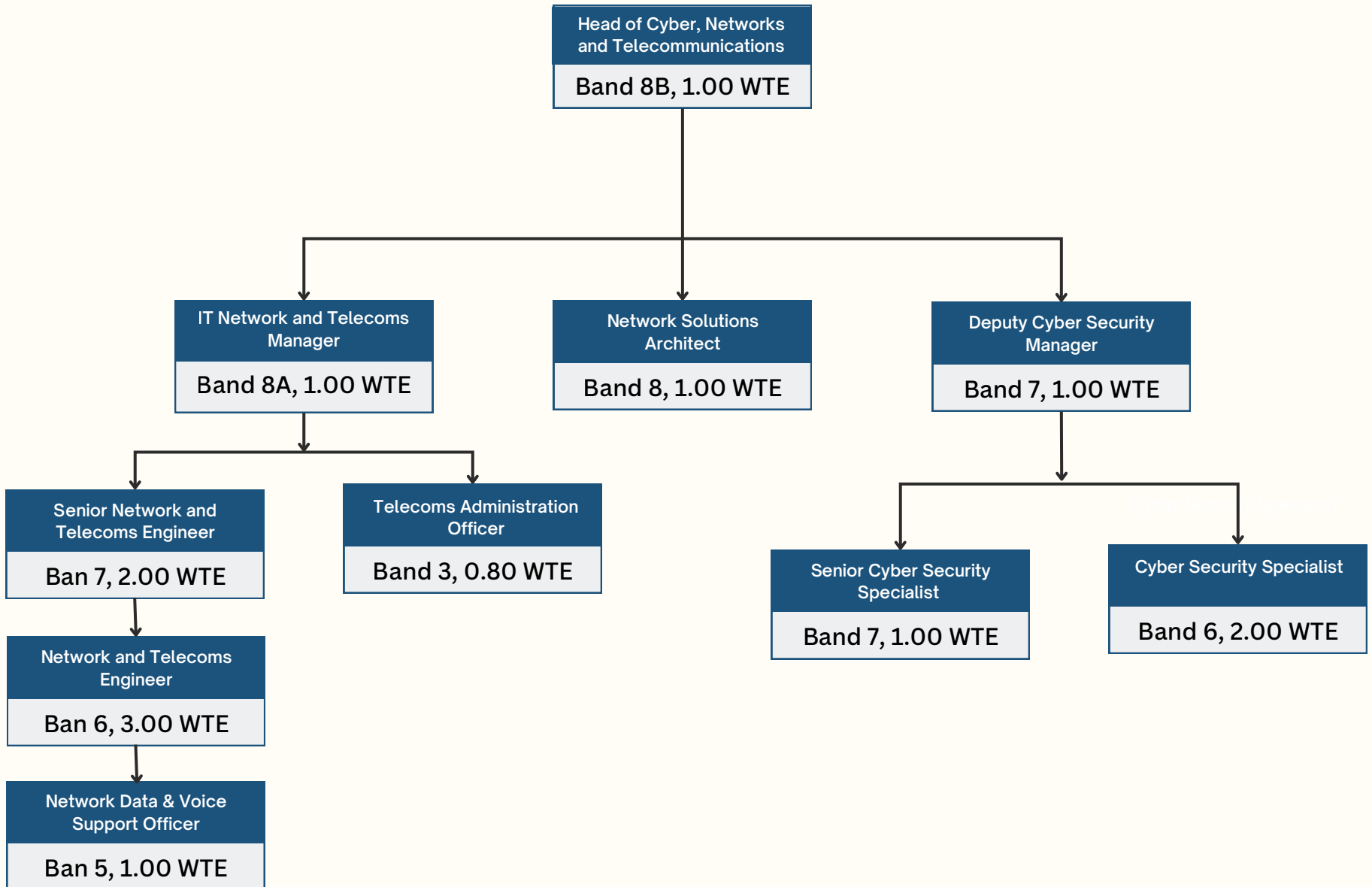


DIGITAL TECHNOLOGY

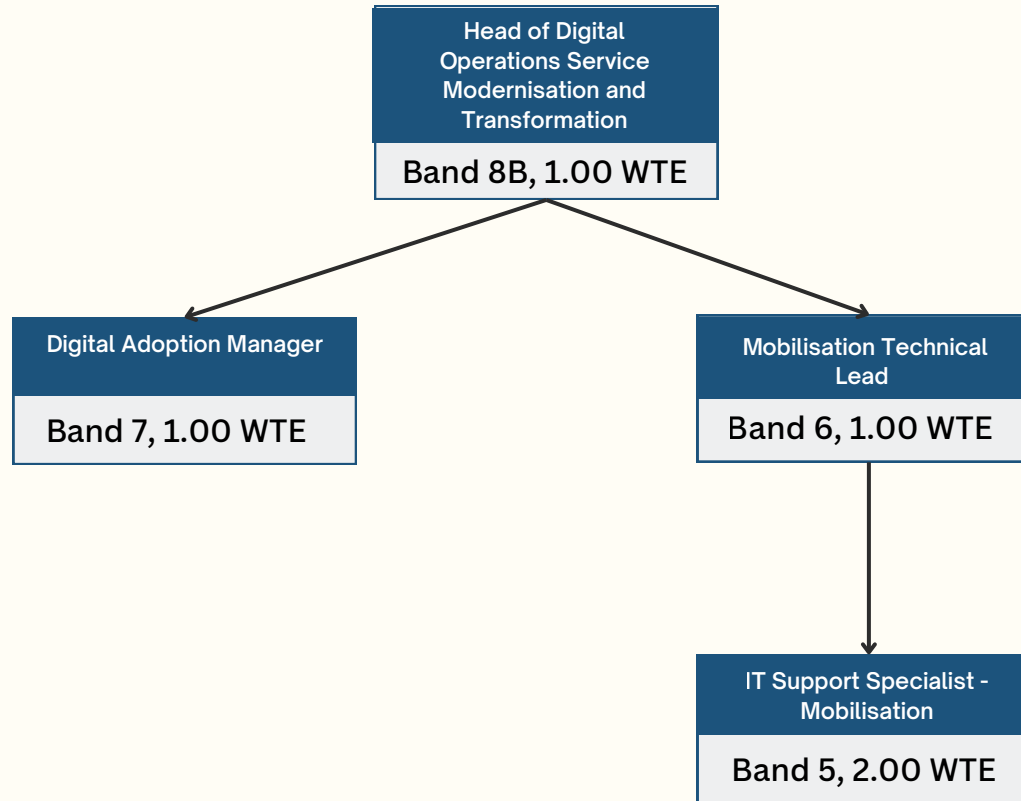


Head of Service Delivery

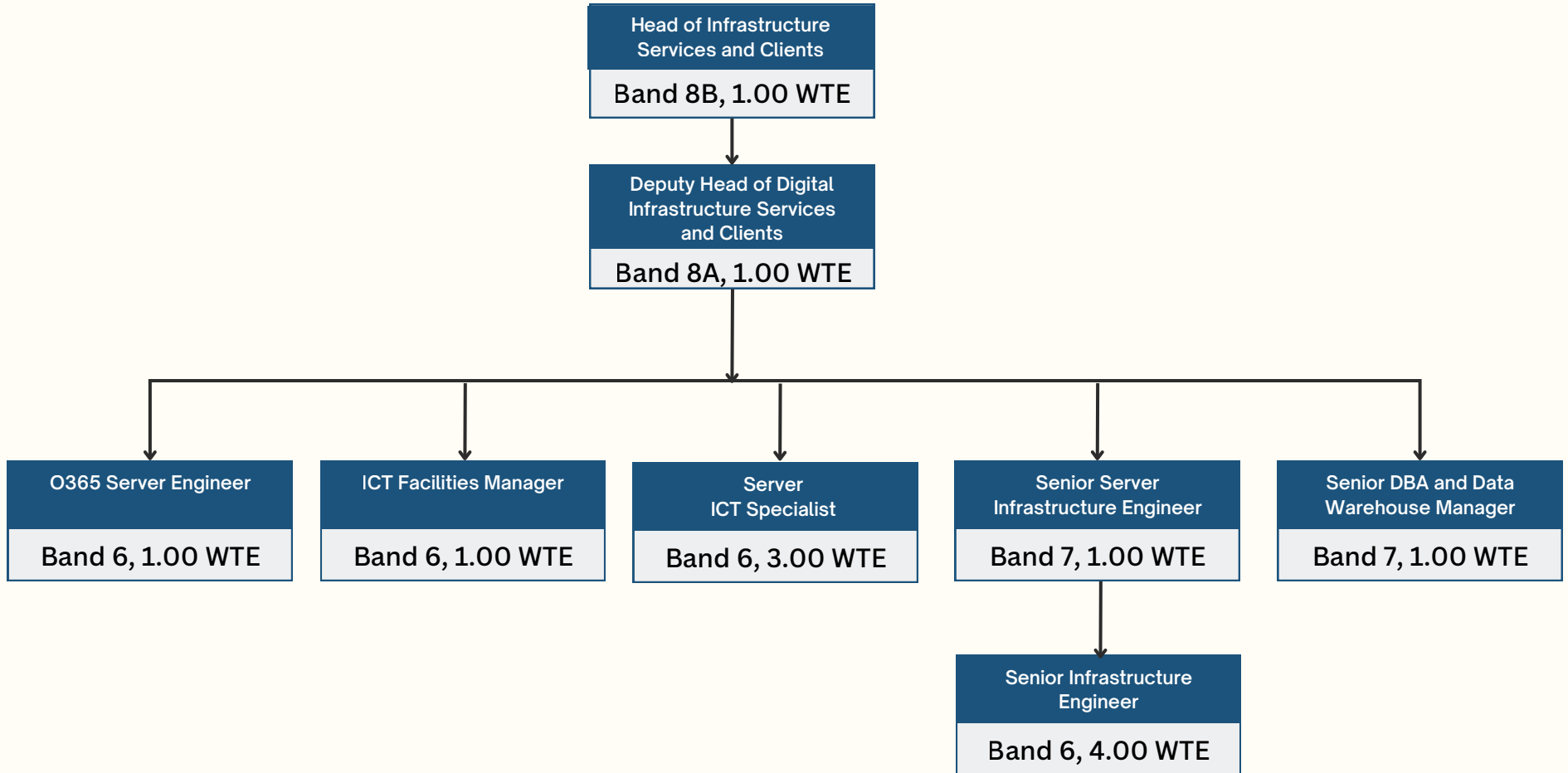
DIGITAL TECHNOLOGY



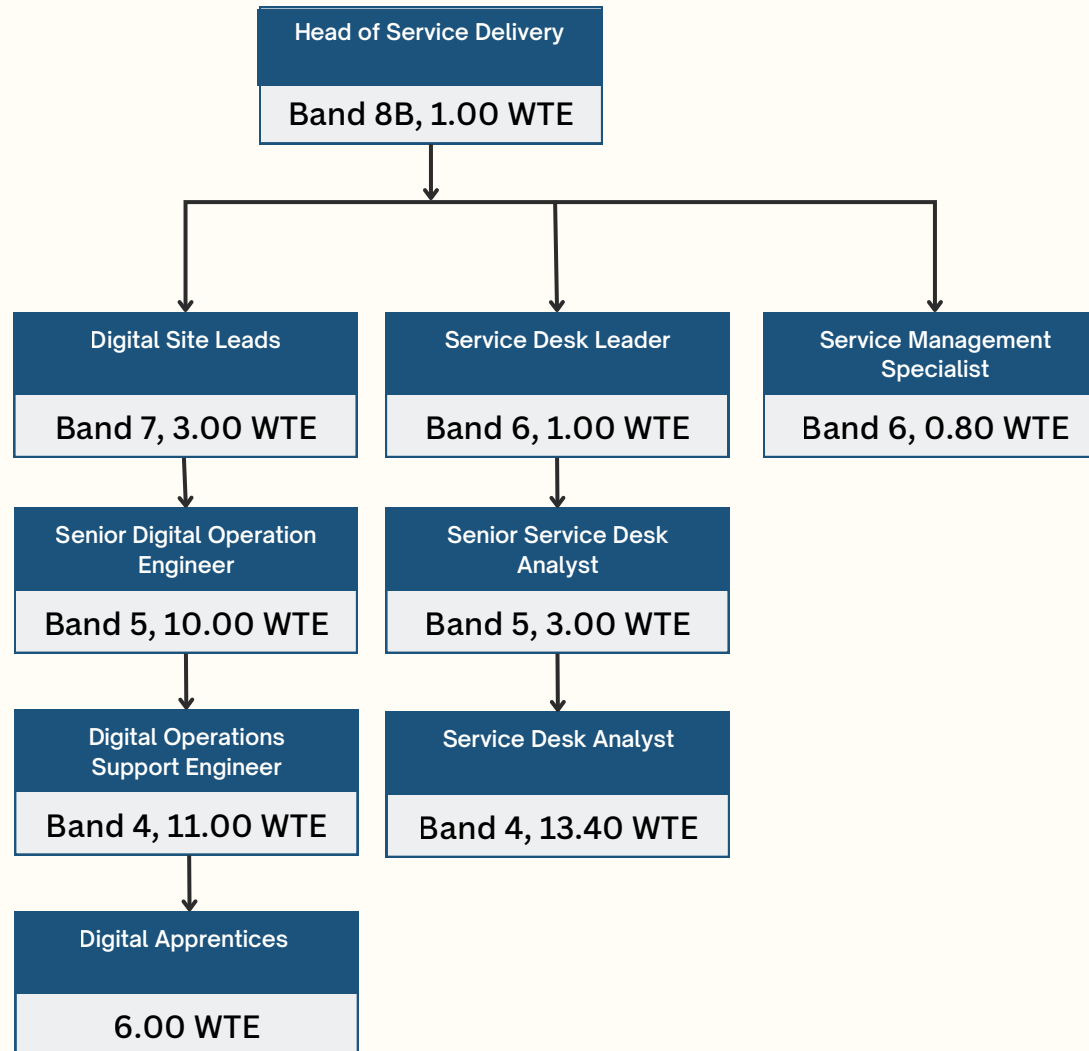
DIGITAL TECHNOLOGY



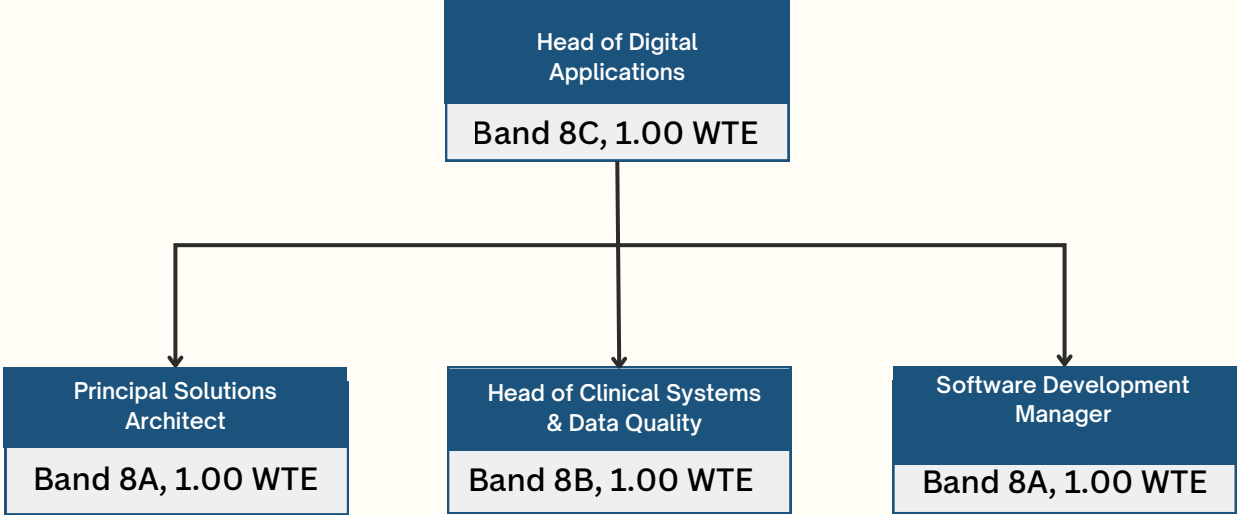
DIGITAL TECHNOLOGY



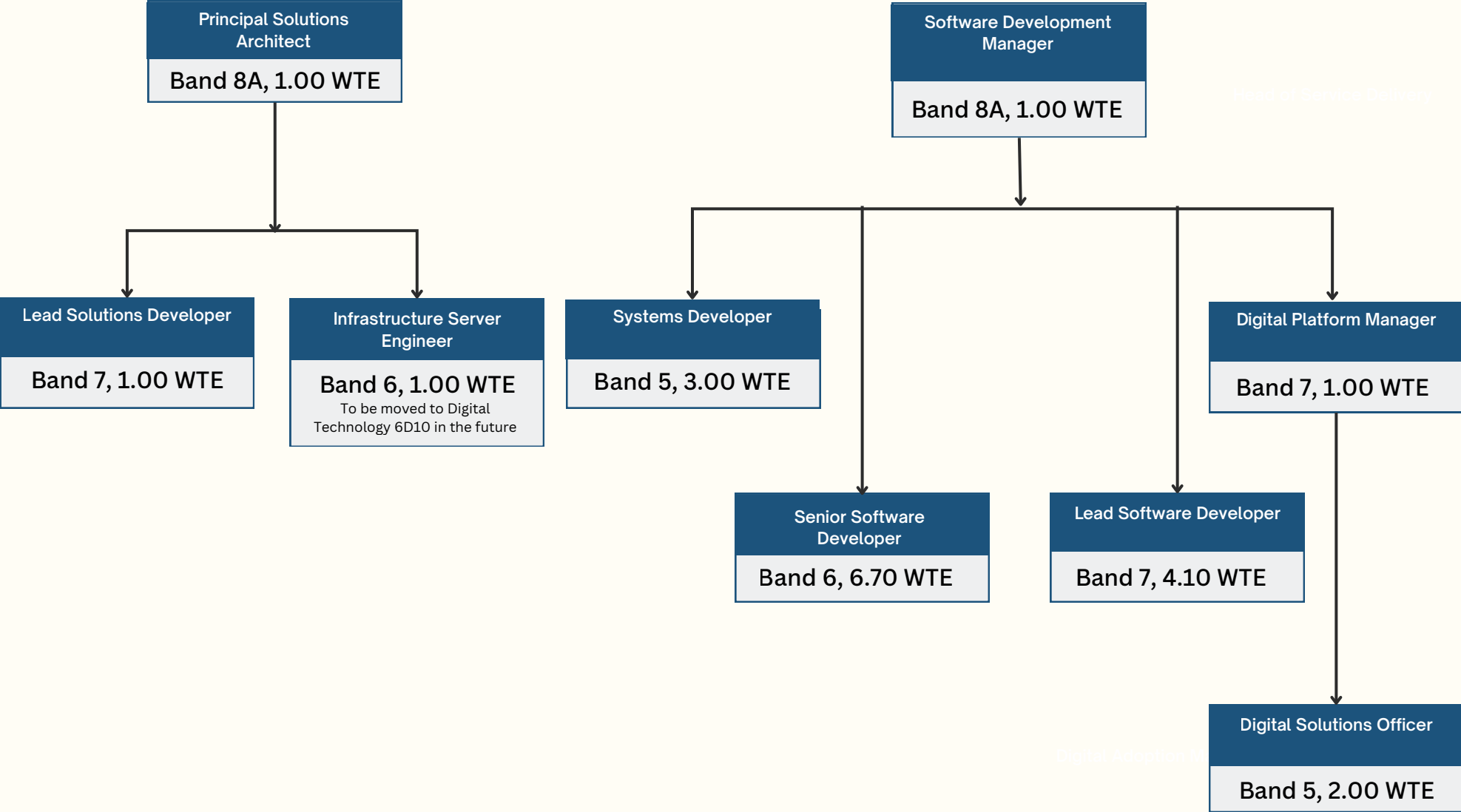
DIGITAL TECHNOLOGY



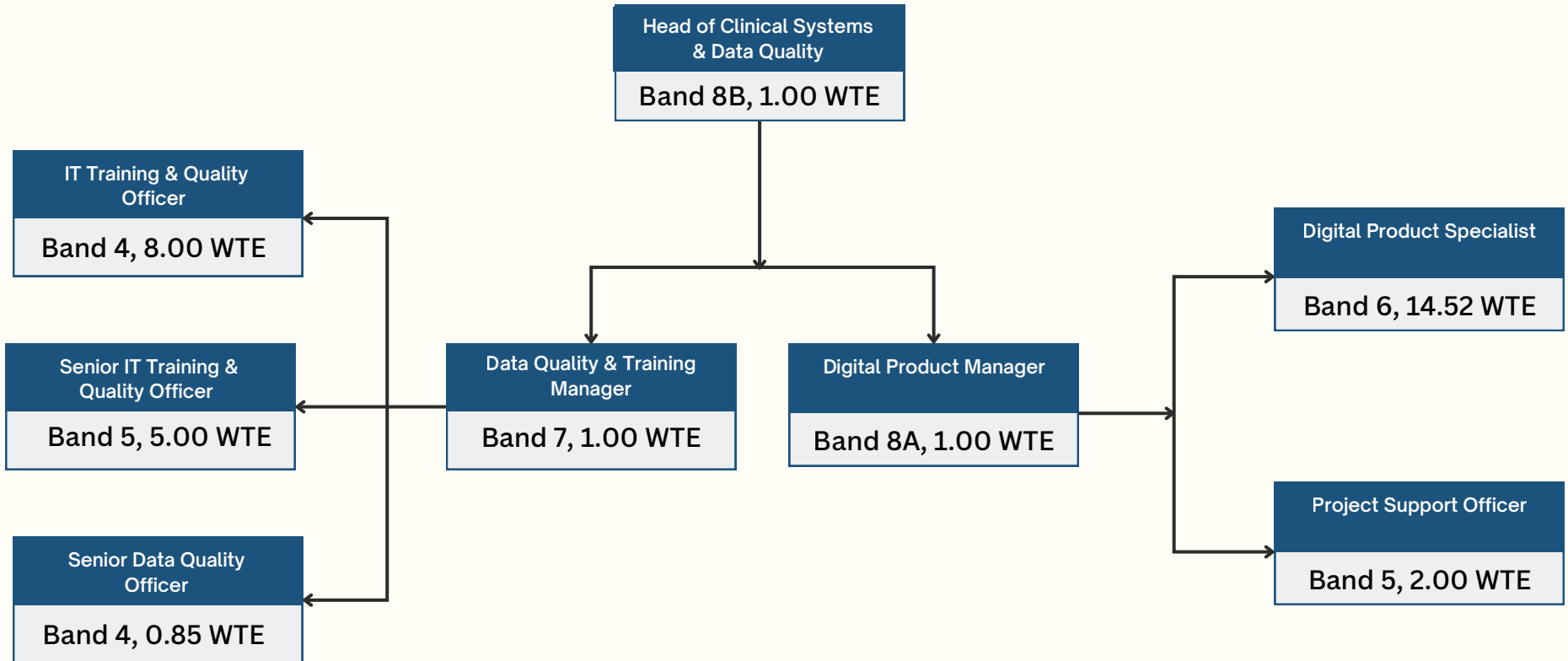
DIGITAL APPLICATION



DIGITAL APPLICATION



DIGITAL APPLICATION



VALUE BASED HEALTHCARE

